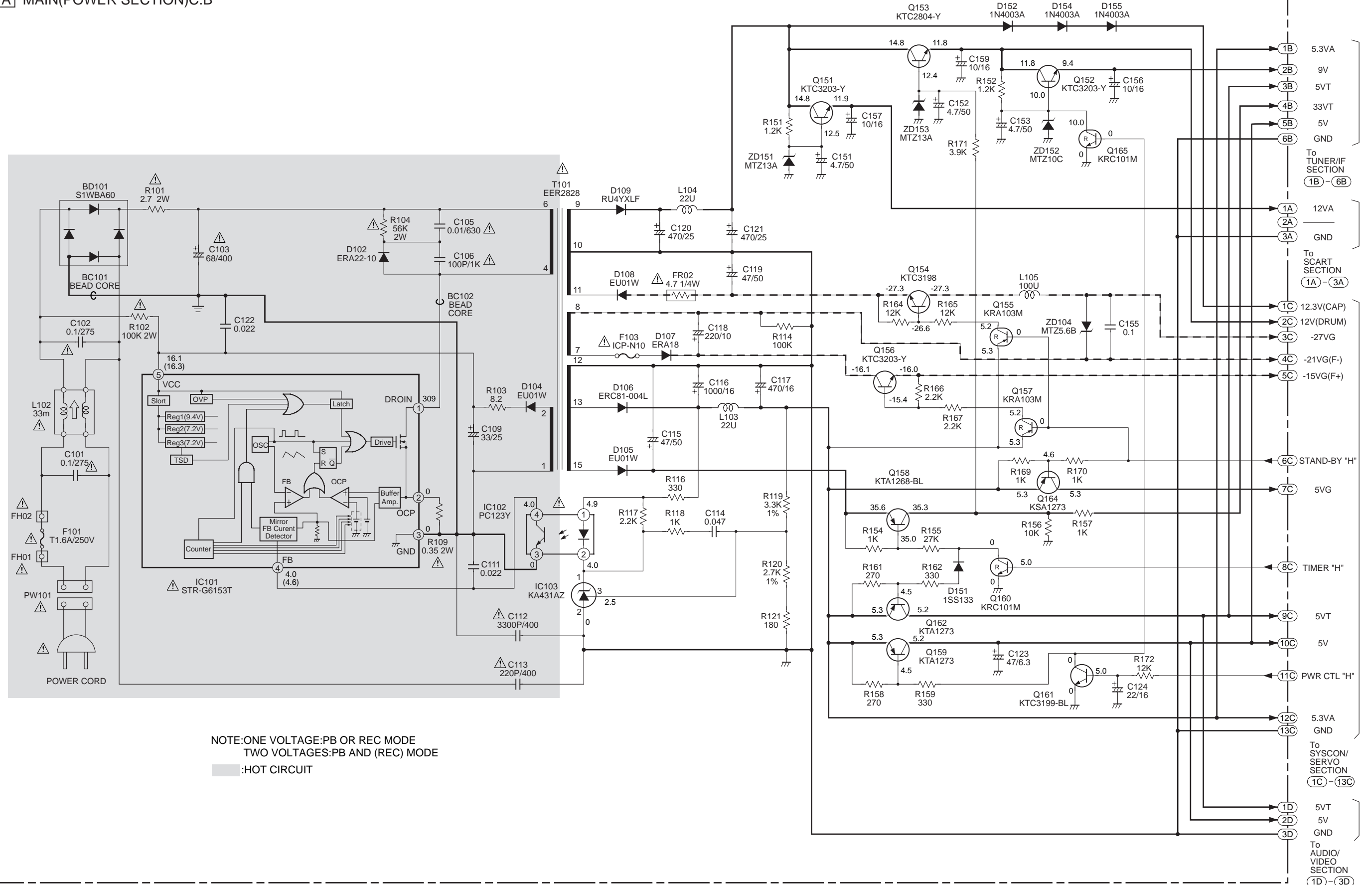
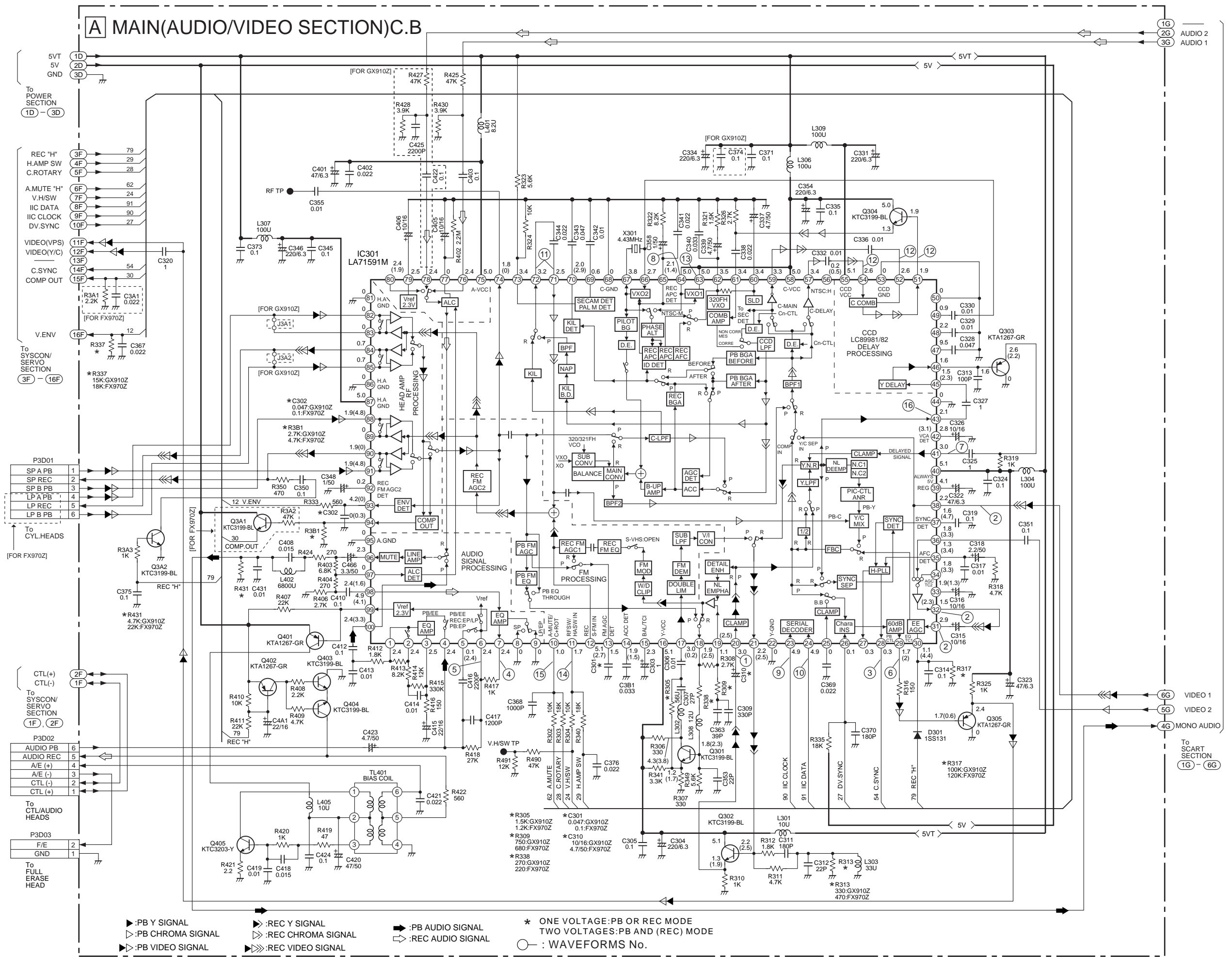


A MAIN(POWER SECTION)C.B



SCHEMATIC DIAGRAM-2 (AUDIO/VIDEO SECTION)



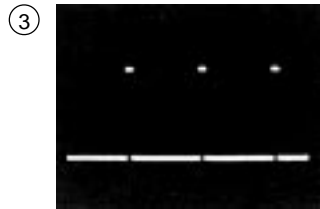
WAVEFORM-1 (VIDEO SECTION)



IC301 Pin 20
PBmode
500mvp-p



IC301 Pin 38, 31, 32
Video in
1Vp-p



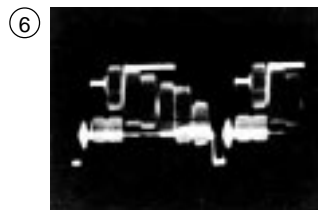
IC301 Pin 28
PB/REC mode
4.2Vp-p



IC301 Pin 7
REC mode
1.4Vp-p



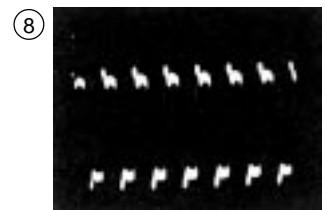
IC301 Pin 6
REC mode
2.2Vp-p



IC301 Pin 29
PB mode
2.1 Vp-p



IC301 Pin 41
PB mode
400mVp-p



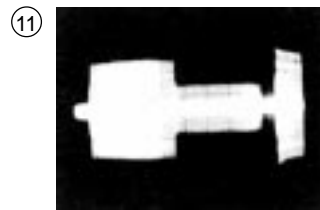
IC301 Pin 64
PB mode
600mVp-p



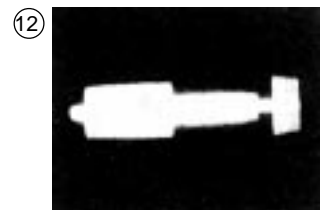
IC301 Pin 23
PB/REC mode
5Vp-p



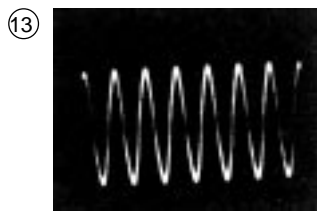
IC301 Pin 24
PB/REC mode
5Vp-p



IC301 Pin 71, 72
REC mode
340mVp-p



IC301 Pin 51, 52, 54
PB mode
300mVp-p



IC301 Pin 63
PB mode
600mVp-p



IC301 Pin 11
PB mode
3.2Vp-p

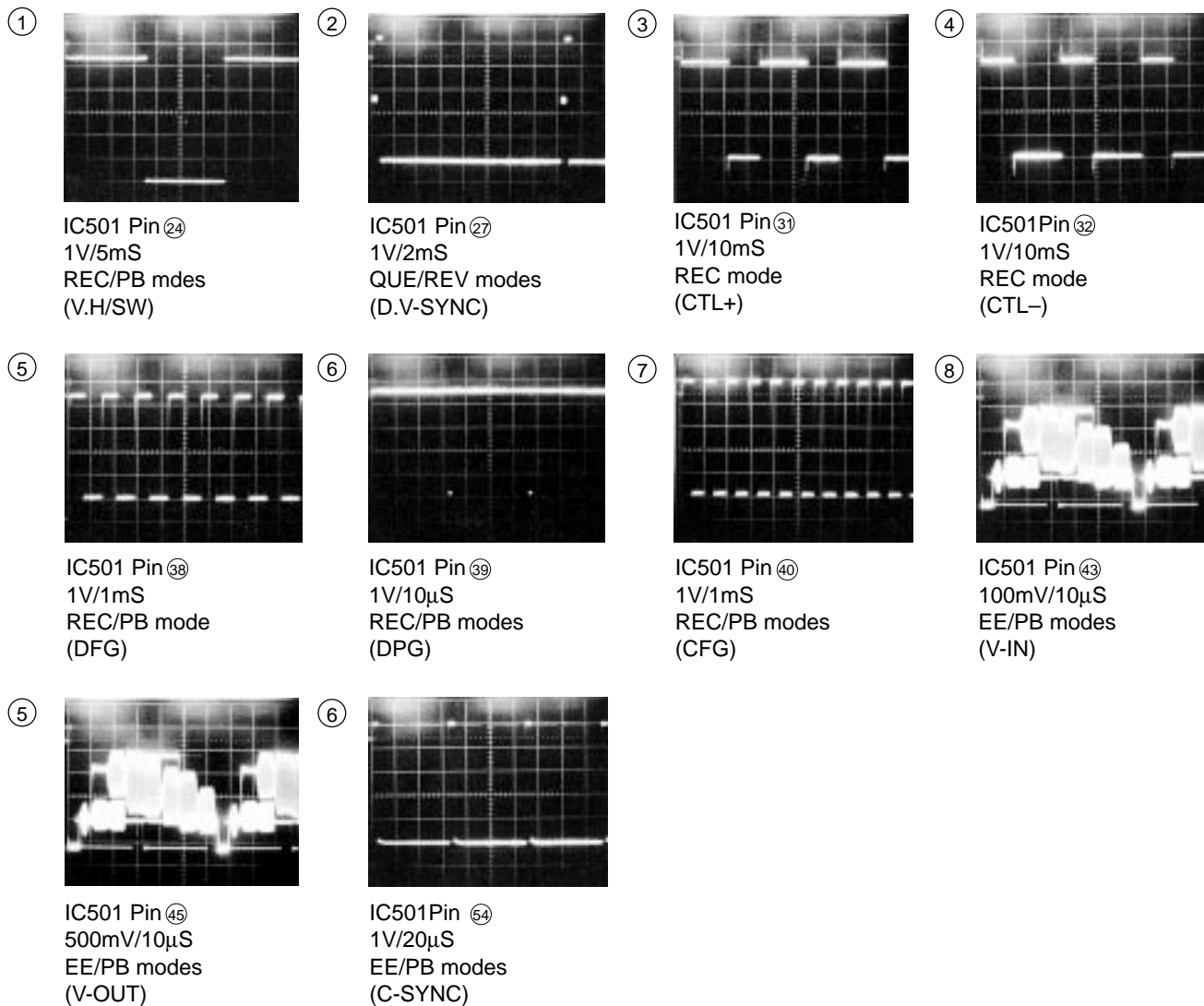


IC301 Pin 10
PB mode
1.8Vp-p

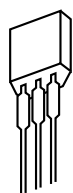


IC301 Pin 43
PB mode
400mVp-p

WAVEFORM-2 (SERVO/OSD SECTION)



TRANSISTOR ILLUSTRATION



E C B

KRA103M
KRC101M
KRC103M
KTA1267
KTC3198
KTC3199



E C B

KTA1268
KTC3203



E C B

KTA1273

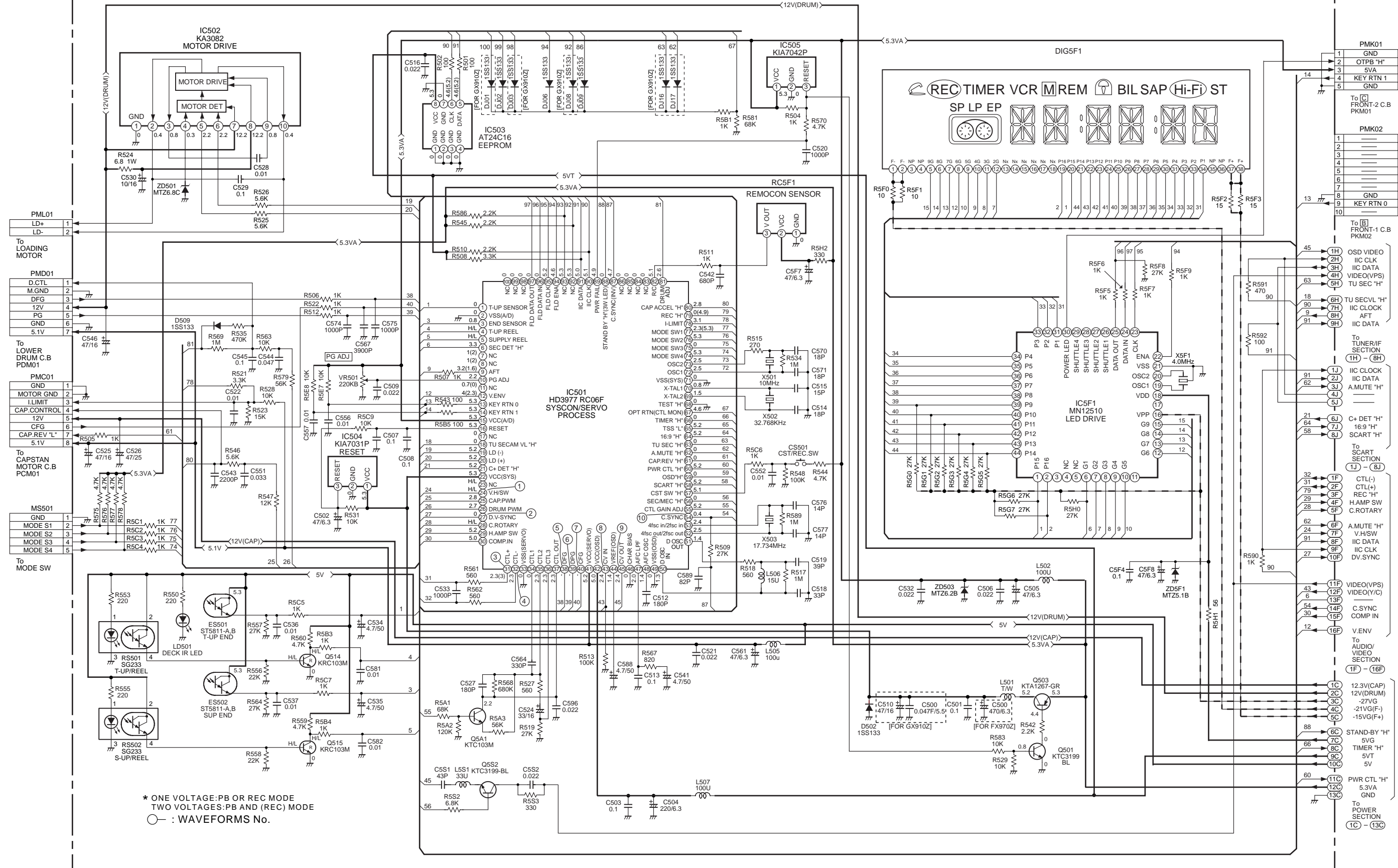


E C B

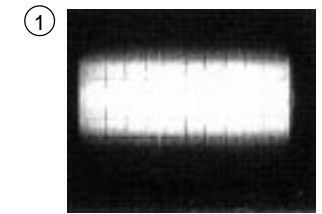
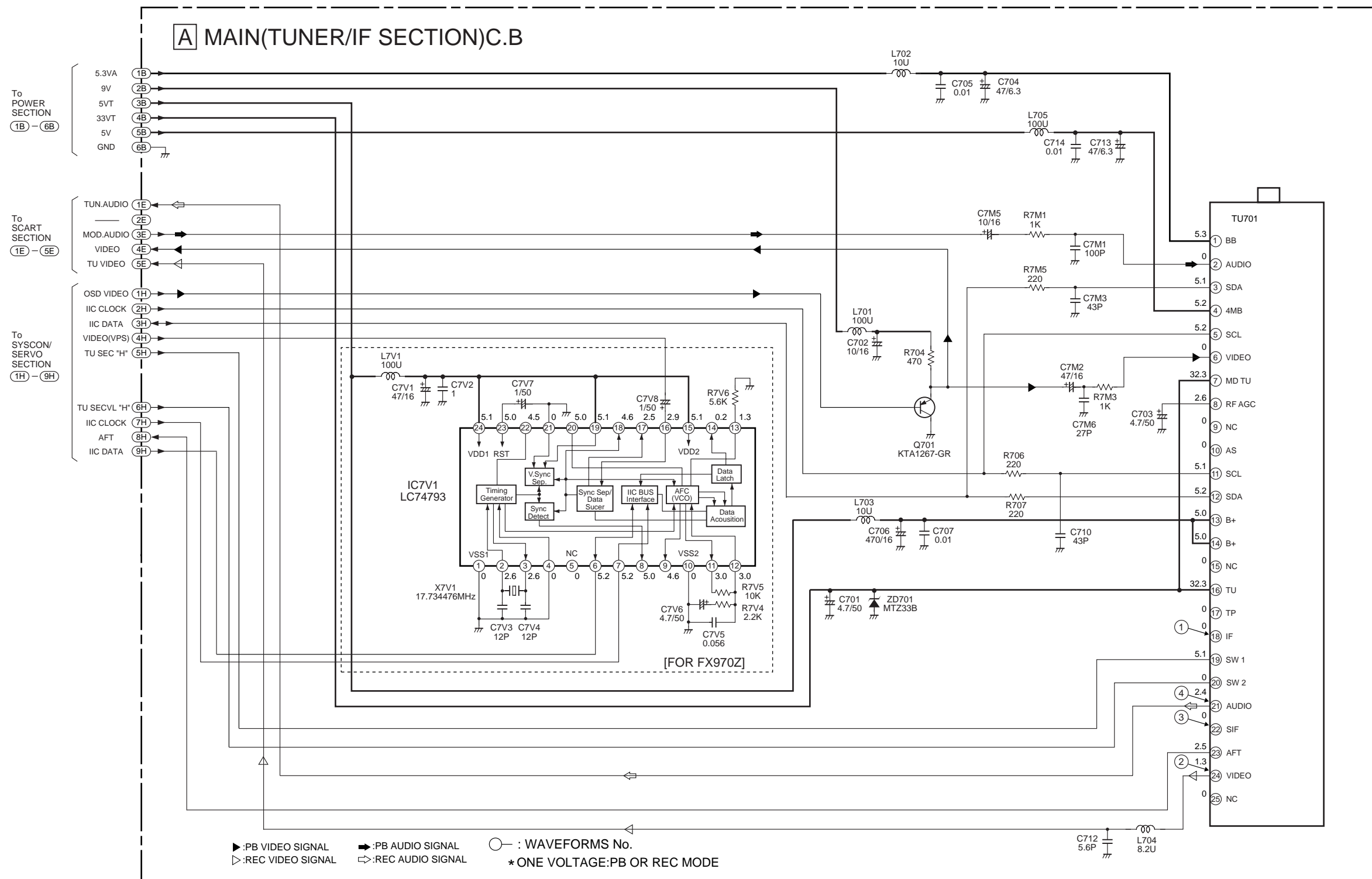
KTC2804

SCHEMATIC DIAGRAM-3 (SYSTEM CONTROL/SERVO SECTION)

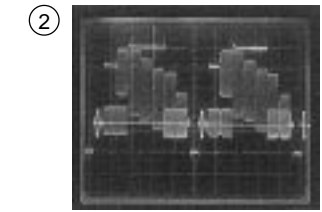
A MAIN(SYSCON/SERVO SECTION)C.B



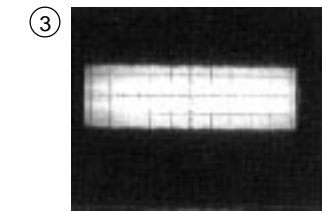
* ONE VOLTAGE:PB OR REC MODE
 TWO VOLTAGES:PB AND (REC) MODE
 ○ : WAVEFORMS No.



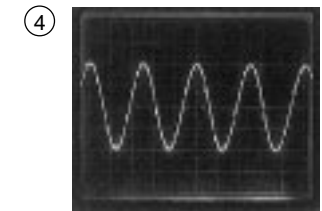
TU701 Pin ⑱
(IF Signal)



TU701 Pin ⑳
(Video Signal)

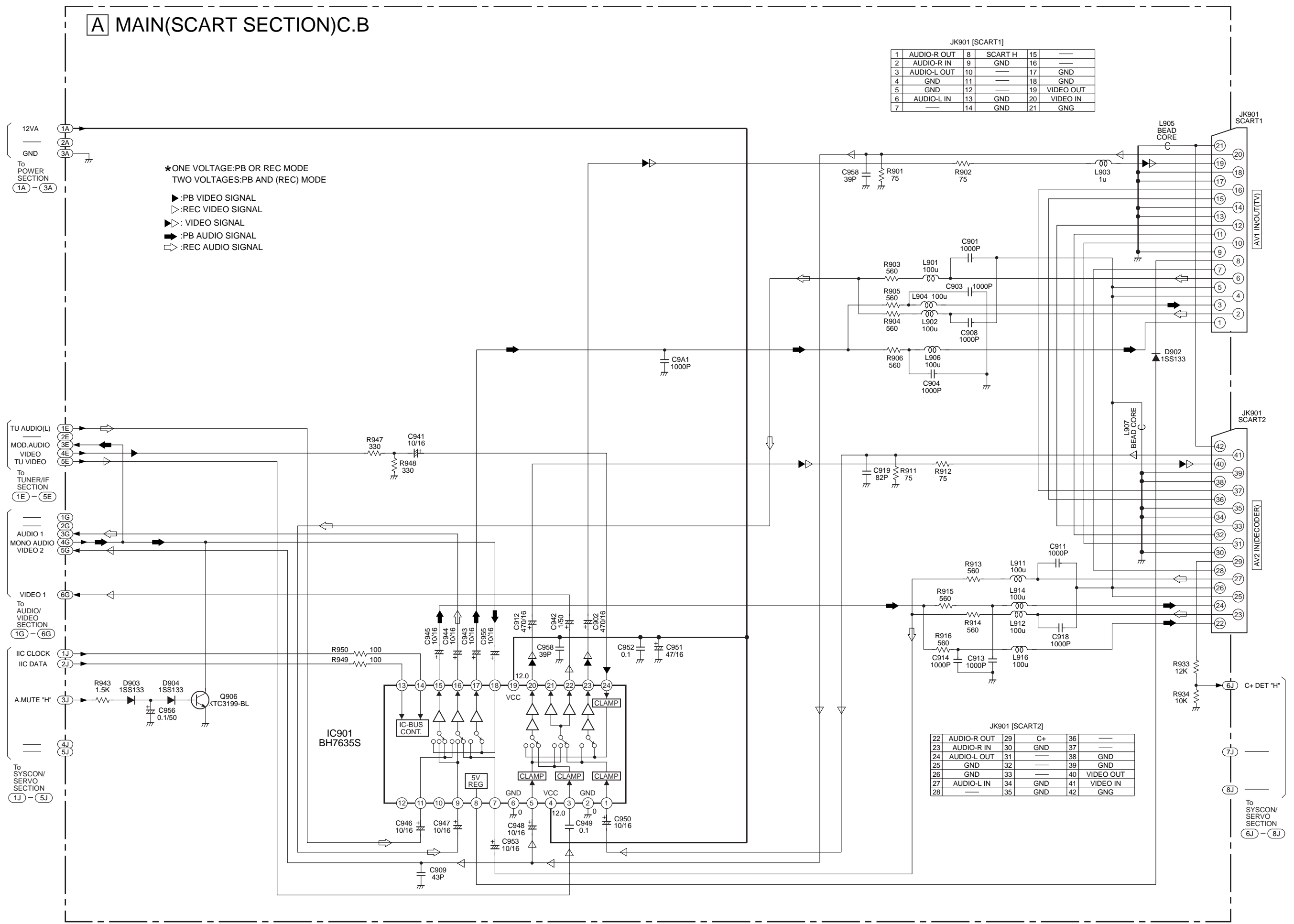


TU701 Pin ㉒
(SIF Signal)



TU701 Pin ㉑
(Audio Signal)

A MAIN(SCART SECTION)C.B



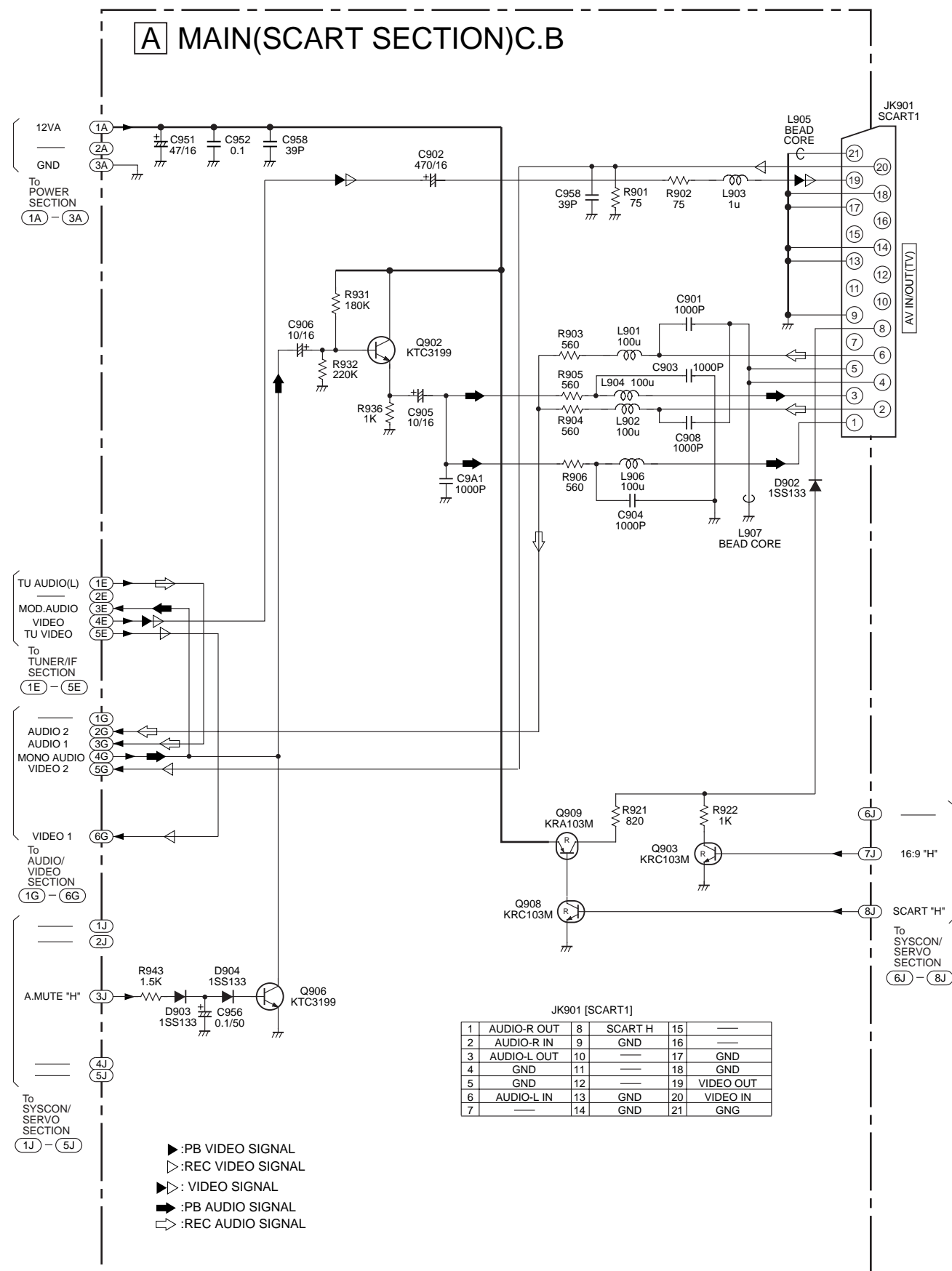
JK901 [SCART1]

1	AUDIO-R OUT	8	SCART H	15	---
2	AUDIO-R IN	9	GND	16	---
3	AUDIO-L OUT	10	---	17	GND
4	GND	11	---	18	GND
5	GND	12	---	19	VIDEO OUT
6	AUDIO-L IN	13	GND	20	VIDEO IN
7	---	14	GND	21	GNG

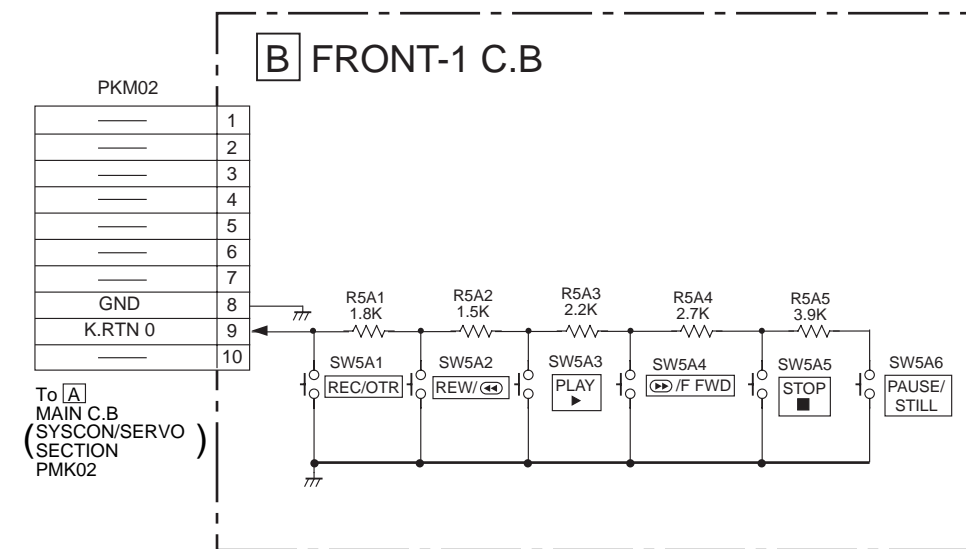
JK901 [SCART2]

22	AUDIO-R OUT	29	C+	36	---
23	AUDIO-R IN	30	GND	37	---
24	AUDIO-L OUT	31	---	38	GND
25	GND	32	---	39	GND
26	GND	33	---	40	VIDEO OUT
27	AUDIO-L IN	34	GND	41	VIDEO IN
28	---	35	GND	42	GNG

SCHEMATIC DIAGRAM-6 (SCART SECTION) <FOR GX910Z>



SCHEMATIC DIAGRAM-7 (FRONT-1 C.B)



SCHEMATIC DIAGRAM-8 (FRONT-2 C.B)

